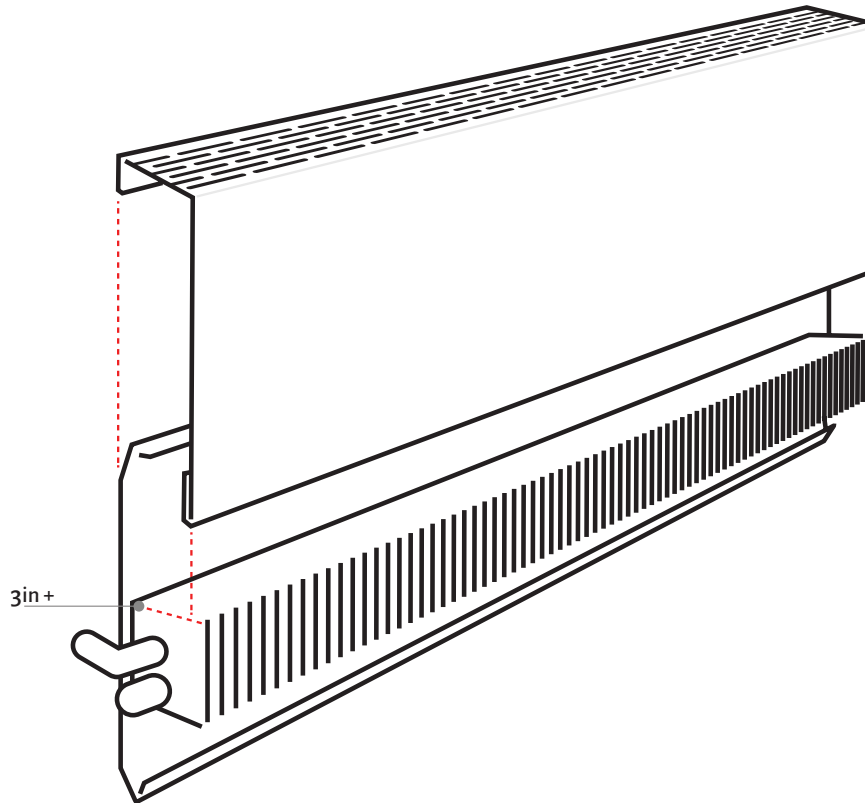


Adjusting for Depth

Wood frame making instructions.



WARNING

Sharp edges. Watch your fingers.

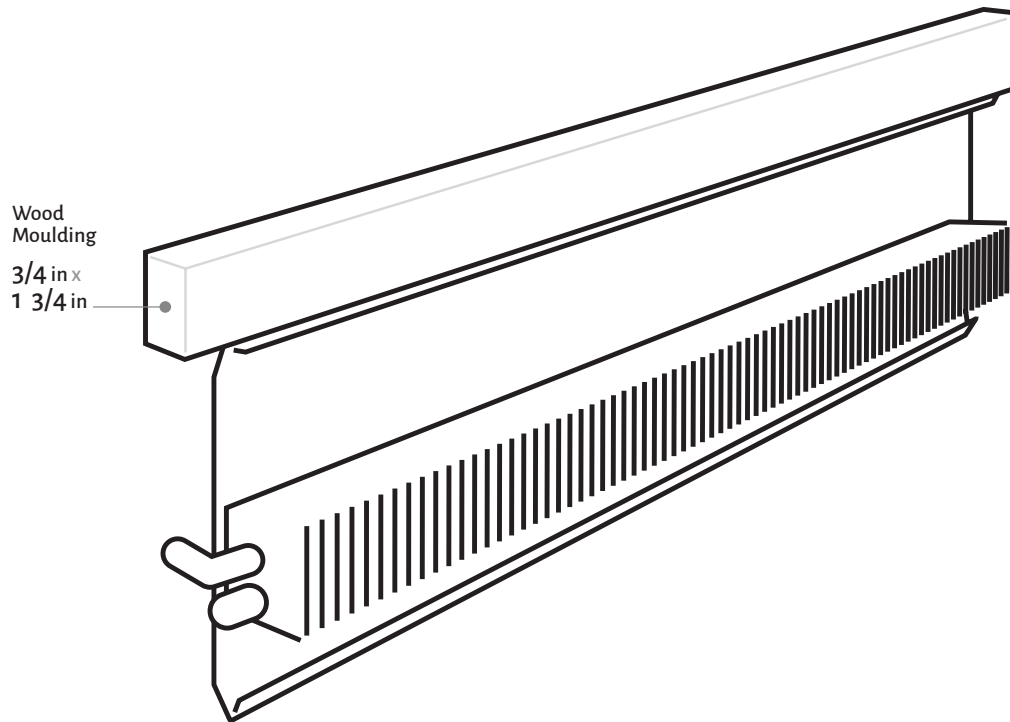
WHEN USING ELECTRICAL APPLIANCES, BASIC PRECAUTIONS SHOULD ALWAYS BE FOLLOWED TO REDUCE THE RISK OF FIRE ELECTRIC SHOCK, AND INJURY TO PERSONS, INCLUDING THE FOLLOWING:

1. Read all instructions before installing or using the cover.
2. Sharp edges and corners may be present on the baseboard cover panel. Any sharp edges will be covered after installation using the proper end cap. Please use caution during installation to avoid injury.
3. To avoid fire do not block air intakes or exhaust in any manner.
4. Do not insert or allow foreign objects to enter any ventilation or exhaust opening as this may cause and electric shock or fire, or damage the heater.
5. This heater cover is hot when in use. To avoid burns, do not let bare skin touch hot surfaces. Keep combustible materials such as furniture, pillows, bedding, papers, and curtains away from heater.

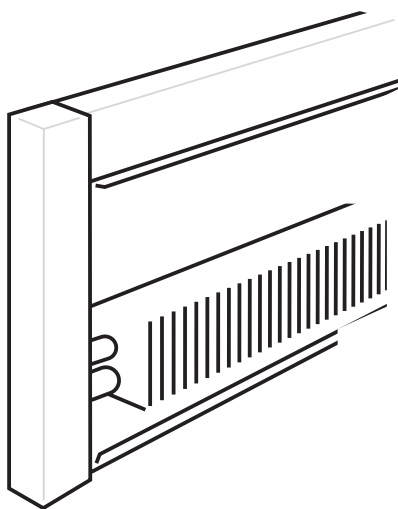
Option A Keeping the old backplate

Might result in bigger height; causing you to move to Atlas TALL

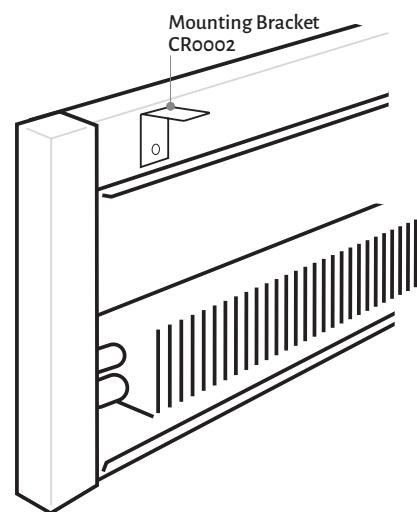
- 1 take a piece of 1"x1" wood strapping (found at your local building supply store) that is cut to the appropriate length and screw it horizontally above your current cover.



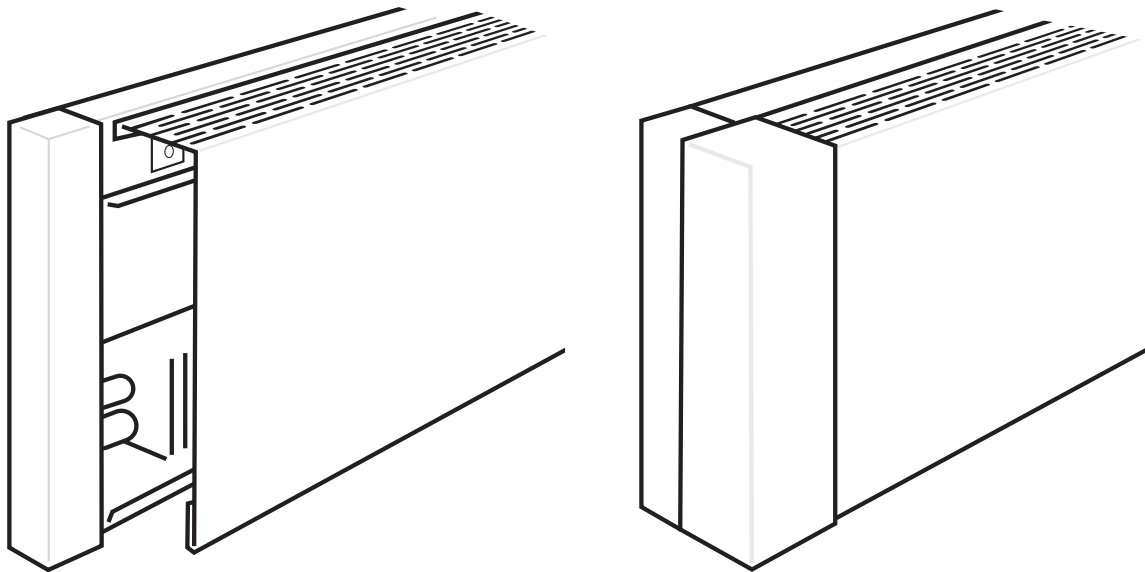
- 2 Then install a piece of 1"x1" strapping vertically at either end of your cover.



- 3 Attach our wall brackets on the leading edge of the horizontal length.



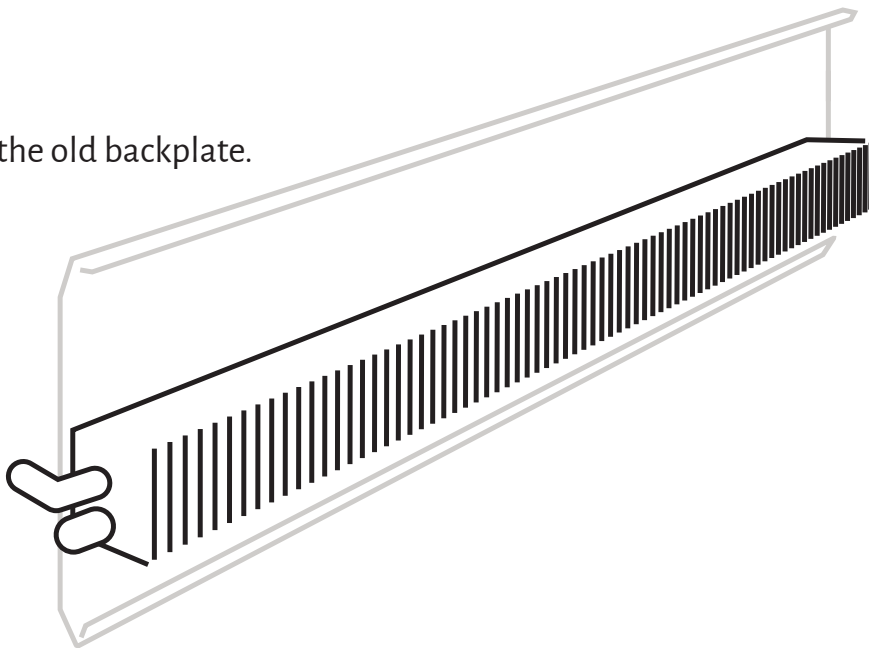
4 To finish the project, simply paint the wood to match the wall or your new covers. For greater depths, just select a larger dimension of wood strapping (1"x2", 1"x3" etc.)



Option B Removing the old backplate

More work, but no height increase.

1 Remove the old backplate.



2 Redo all the previous steps, placing the top wood strap where the old backplate used to be.

