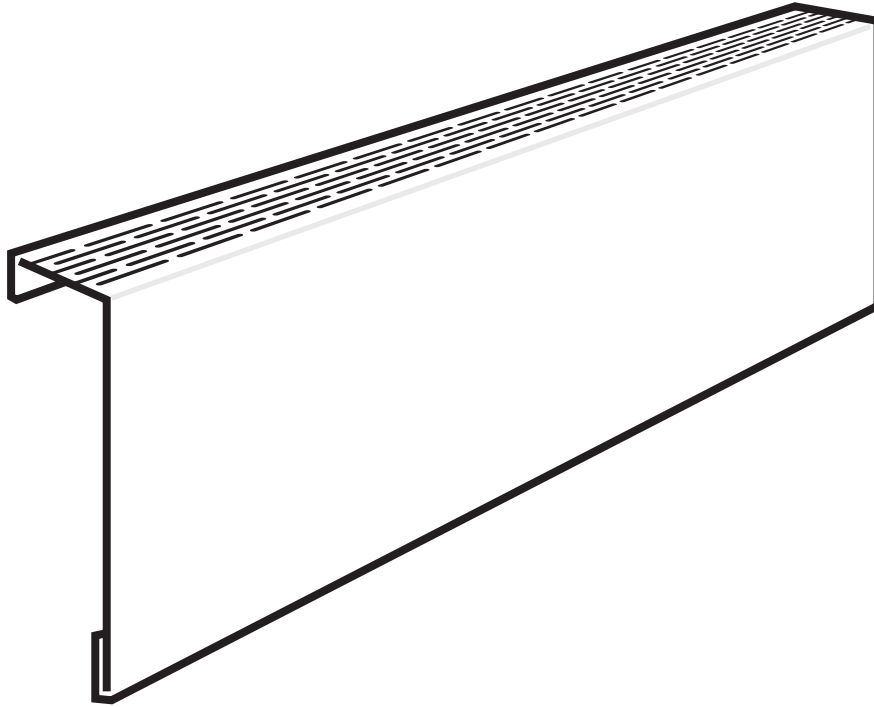


Atlas & Atlas XL

Baseboard heater covers Installation Guide

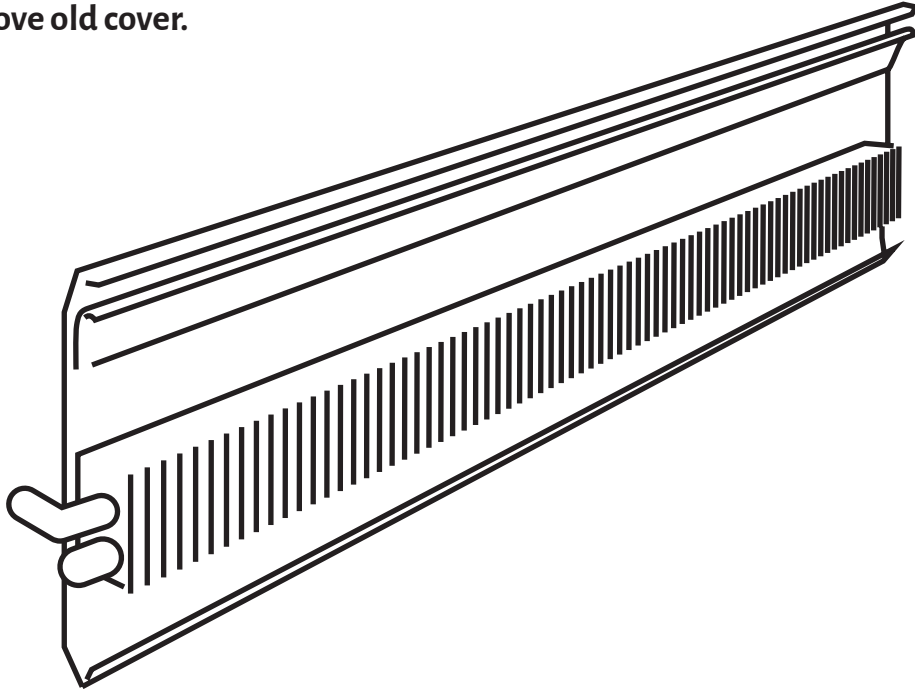
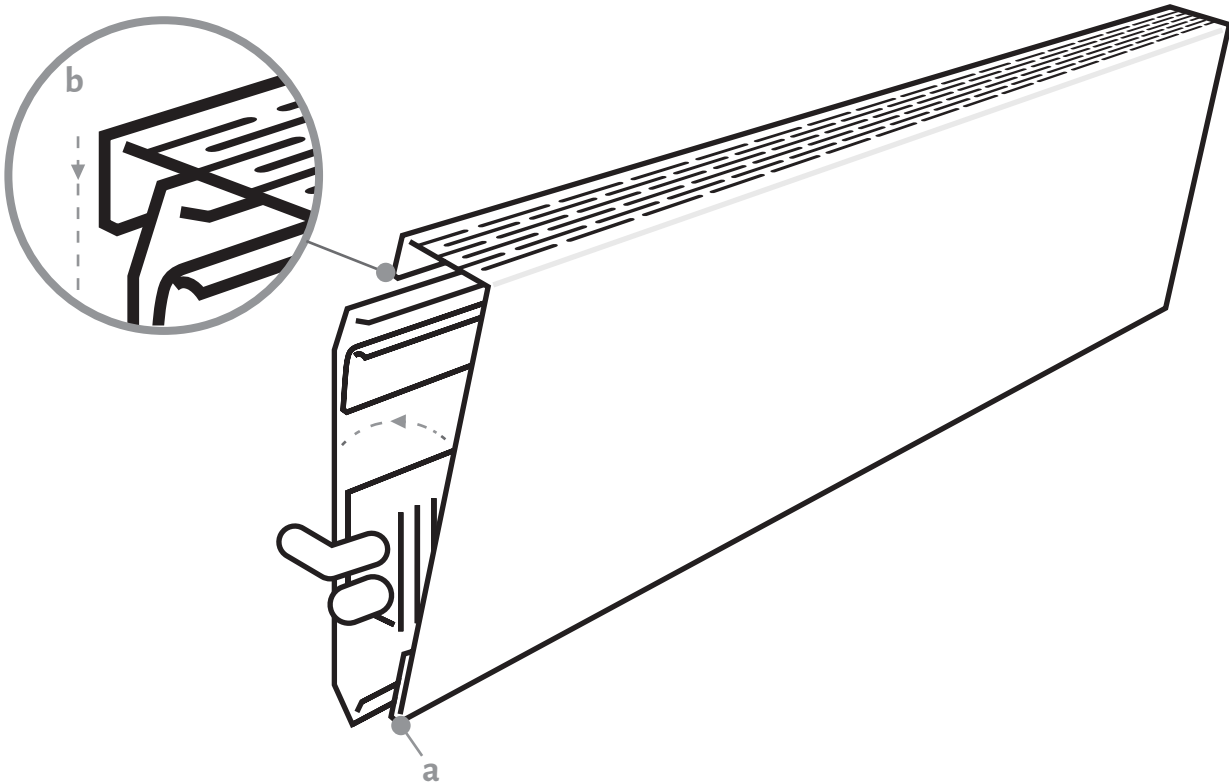


WARNING

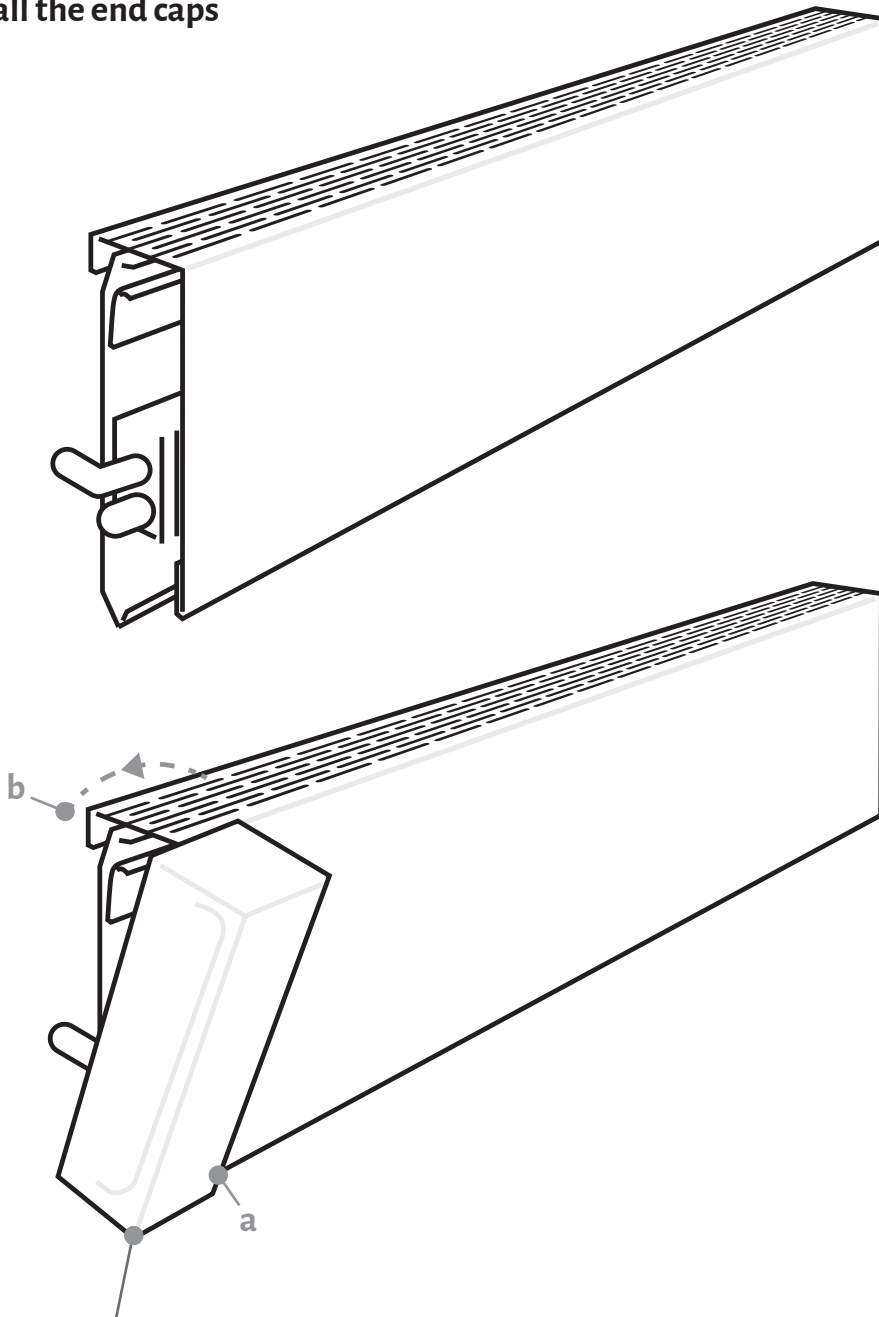
Sharp edges. Watch your fingers.

WHEN USING ELECTRICAL APPLIANCES, BASIC PRECAUTIONS SHOULD ALWAYS BE FOLLOWED TO REDUCE THE RISK OF FIRE ELECTRIC SHOCK, AND INJURY TO PERSONS, INCLUDING THE FOLLOWING:

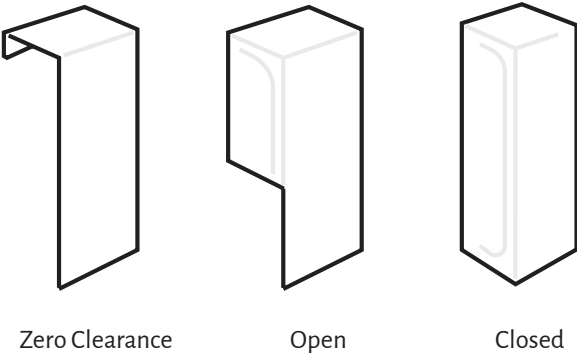
1. Read all instructions before installing or using the cover.
2. Sharp edges and corners may be present on the baseboard cover panel. Any sharp edges will be covered after installation using the proper end cap. Please use caution during installation to avoid injury.
3. To avoid fire do not block air intakes or exhaust in any manner.
4. Do not insert or allow foreign objects to enter any ventilation or exhaust opening as this may cause an electric shock or fire, or damage the heater.
5. This heater cover is hot when in use. To avoid burns, do not let bare skin touch hot surfaces. Keep combustible materials such as furniture, pillows, bedding, papers, and curtains away from heater.

1**Remove old cover.****2****Install the new panel**

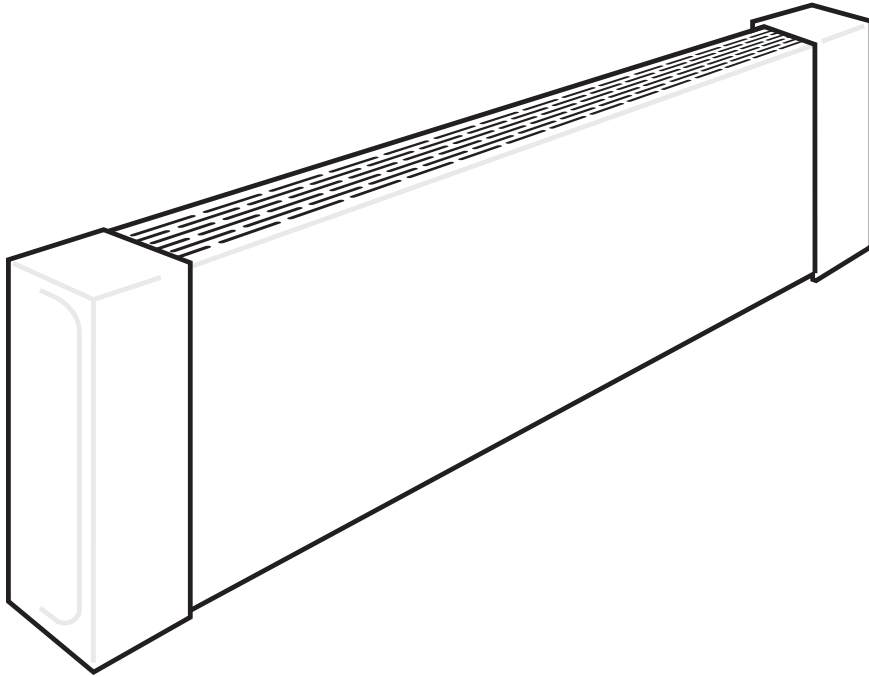
3 Install the end caps



The end cap can be any of these options:

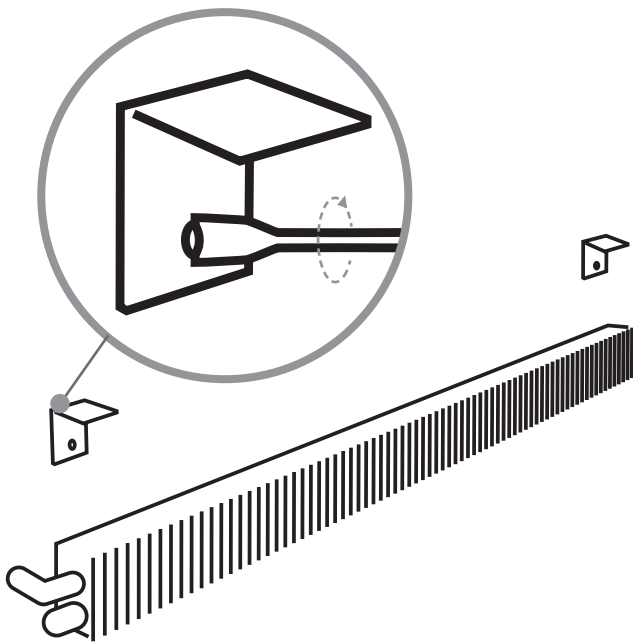


Done!

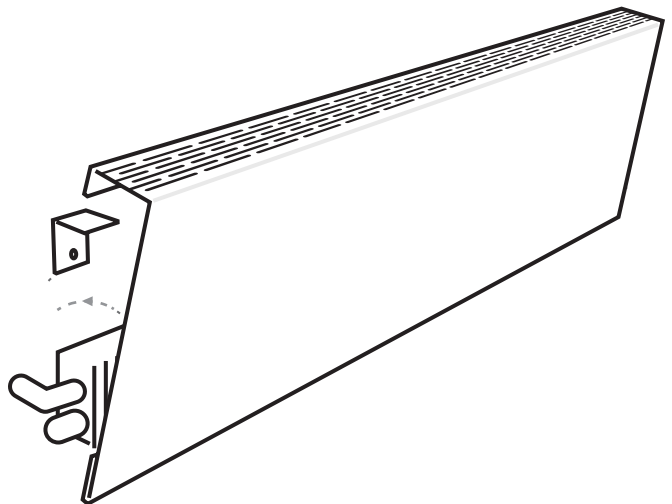



 If you do not have an existing back plate, you can use the mounting bracket add-on:

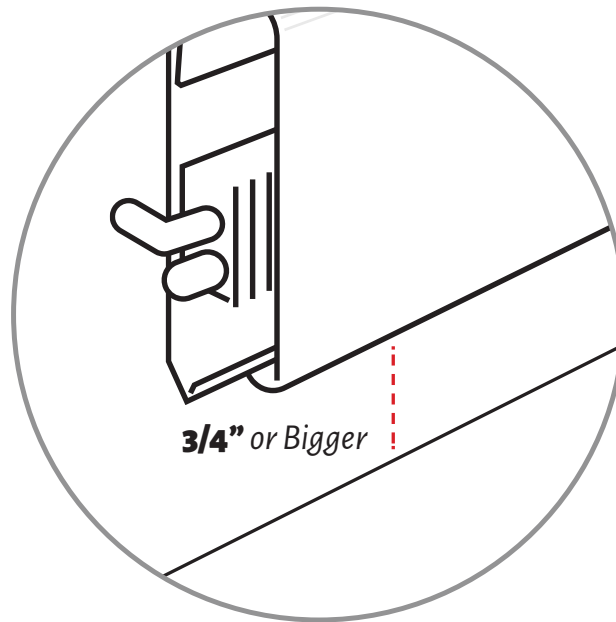
1 Screw-in the brackets to the wall



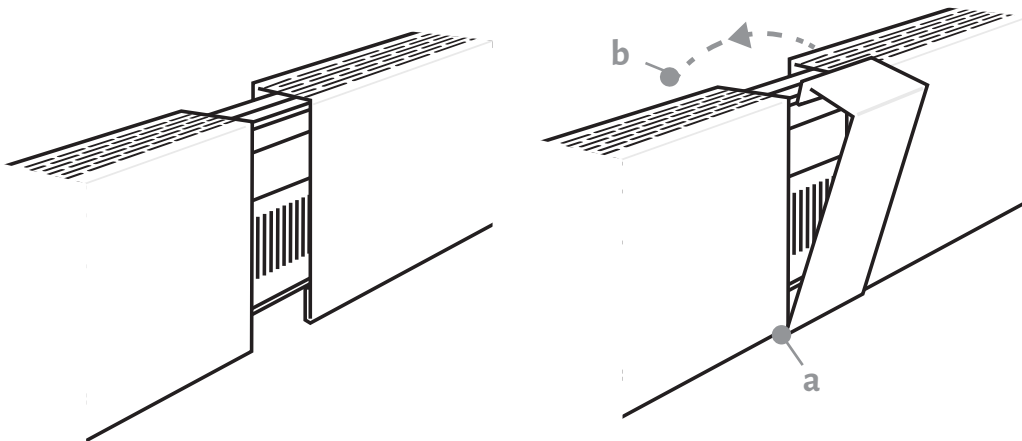
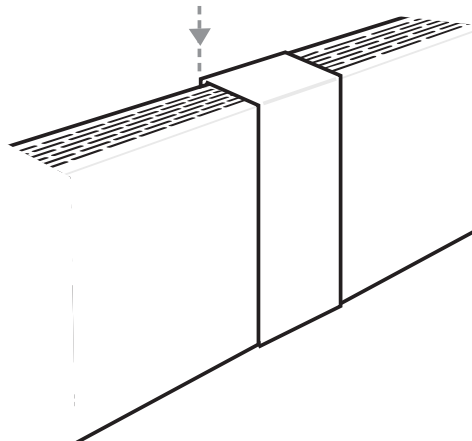
2 Install the panel and proceed as described in the end caps.



-  Please make sure there is a clearance of **at least 3/4 inches** between the heater cover and the floor to insure proper air flow.

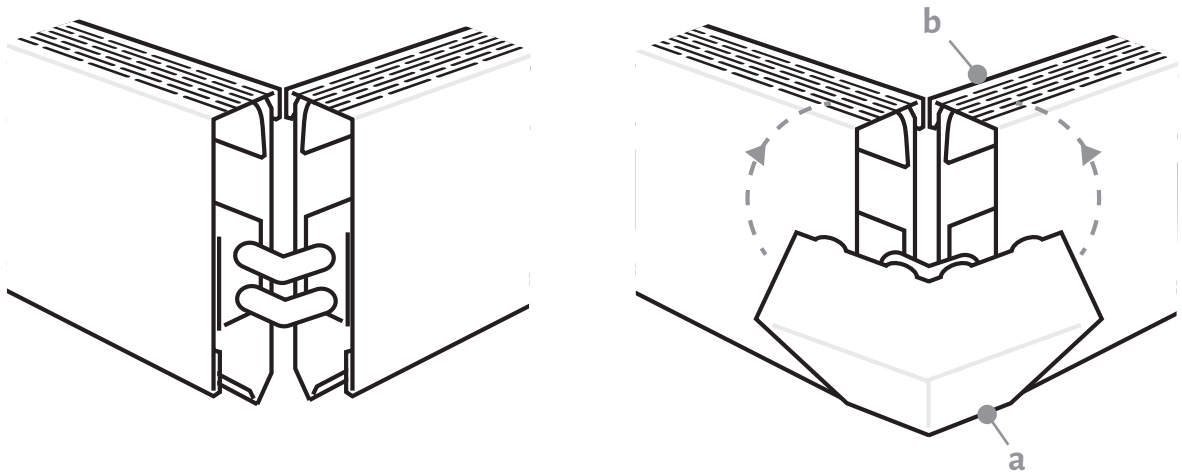


-  You can join to adjacent panels using the coupler piece:

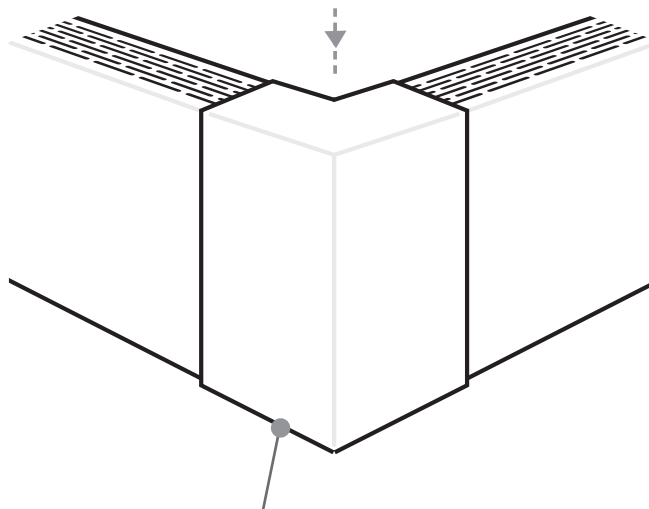
1**2**

 You can join to adjacent panels at an angle using the corner pieces:

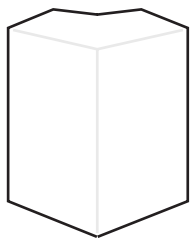
1



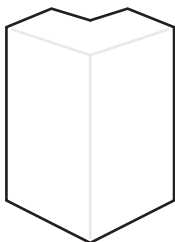
2



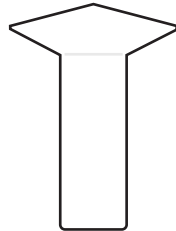
The corner piece can be any of these options:



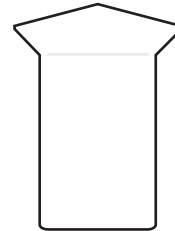
135 degrees outside corner



90 degrees outside corner



90° inside corner



135° inside corner